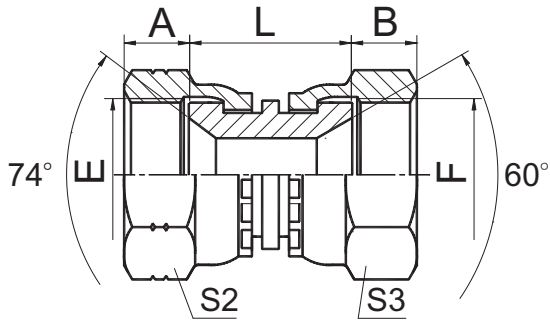


过渡接头 ADAPTER



3JK

美制 JIC 内螺纹 74°/ 公制内螺纹 60°
 JIC FEMALE 74° SEAT/METRIC FEMALE 60°

代号 PART NO.	螺纹 THREAD		尺寸 DIMENSIONS				
	E	F	A	B	L	S2	S3
3JK-12-22	1.1/16"X12	M22X1.5	15	14	26.5	32	27
3JK-12-24	1.1/16"X12	M24X1.5	15	15.1	27	32	32
3JK-12-30	1.1/16"X12	M30X1.5	15	18.3	28	32	36
3JK-16-33	1.5/16"X12	M33X1.5	16	21.3	28	41	41
3JK-20-36	1.5/8"X12	M36X1.5	17	20	29.5	50	46
3JK-24-42	1.7/8"X12	M42X1.5	20	18.8	32	55	55